



 **AUDIOVOX™**

PVS69701

7" Dual Screen Mobile DVD System



OWNER'S MANUAL

SAFETY PRECAUTIONS



The lightning flash with an arrowhead symbol, within the equilateral triangle, is intended to alert the user to the presence of uninsulated "dangerous voltage" within the product's enclosure that may be of sufficient magnitude to cause an electric shock.



The exclamation point within the equilateral triangle is intended to alert the user to the presence of important operating and maintenance (servicing) instructions in this owner's manual.



On Placement

- Do not use the unit in places that are extremely hot, cold, dusty, or humid.
- Do not restrict the air flow of the unit by placing it in a place with poor air flow, by covering it with a cloth, or by placing it on carpeting.

FCC Information

WARNING: Changes or modifications to this unit not expressly approved by the party responsible for compliance could void the user authority to operate the equipment.

NOTE: This equipment has been tested and found to comply with the limits for a Class B digital device, pursuant to Part 15 of the FCC Rules. These limits are designed to provide reasonable protection against harmful interference in a residential installation. This equipment, used in accordance with the instructions, may cause harmful interference to radio communications.

However, there is no guarantee that interference will not occur in a particular installation. If this equipment does cause harmful interference to radio or television reception, which can be determined by turning the equipment off and on, the user is encouraged to try to correct the interference by one or more of the following measures:

- Reorient or relocate the receiving antenna.
- Increase the separation between the equipment and receiver.
- Connect the equipment into an outlet on a circuit different from that to which the receiver is connected.
- Consult the dealer or an experienced radio/TV technician for help.

Shielded cables must be used with this unit to ensure compliance with the Class FCC limits.

On Safety

- When connecting or disconnecting the AC cord, grip the plug and not the cord itself. Pulling the cord may damage it and create a hazard.



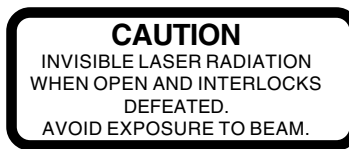
WARNING: TO REDUCE THE RISK OF ELECTRIC SHOCK, DO NOT REMOVE COVER (OR BACK). NO USER-SERVICEABLE PARTS INSIDE. REFER SERVICING TO QUALIFIED SERVICE PERSONNEL.



WARNING: TO PREVENT FIRE OR SHOCK HAZARD, DO NOT EXPOSE THIS APPLIANCE TO RAIN OR MOISTURE. DO NOT PLACE OBJECTS FILLED WITH LIQUIDS ON OR NEAR THIS UNIT.

CAUTION: TO PREVENT ELECTRIC SHOCK, MATCH WIDE BLADE OF PLUG TO WIDE SLOT OF POWER OUTLET, THEN FULLY INSERT. DANGER OF EXPLOSION IF BATTERY IS INCORRECTLY REPLACED. REPLACE ONLY WITH THE SAME OR EQUIVALENT TYPE.

* SEE REAR OF UNIT FOR GRAPHIC SYMBOLS *



This product contains a low power laser device.



The symbol for Class II (Double Insulation)

- When you are not going to use the unit for a long time, disconnect the power adapter.

On Condensation

- When left in a heated room where it is warm and damp, water droplets or condensation may form inside the unit. When there is condensation inside the unit, the unit may not function normally. Let the unit stand for 1 to 2 hours before turning the power on, or gradually heat the room and let the unit dry before use.

Rating Plate Location

- The rating plate location is on the rear of unit.



WARNING: Should any trouble occur, disconnect the AC power cord and refer servicing to a qualified technician.

Notes on Copyright

It is forbidden by law to copy, broadcast, show, broadcast on cable, play in public, or rent copyrighted material without permission.

Apparatus Claims of U.S. Patent Nos. 4,631,603; 4,577,216; 4,819,098 and 4,907,093 licensed for limited viewing uses only.

DVD video discs are copy protected, and any recordings made from these discs will be distorted. This product incorporates copyright protection technology that is protected by method claims of certain U.S. patents and other intellectual property rights owned by Macrovision Corporation and other rights owners. Use of this copyright protection technology must be authorized by Macrovision Corporation, and is intended for home and other limited viewing uses only, unless otherwise authorized by Macrovision Corporation. Reverse engineering or disassembly is prohibited.

IMPORTANT SAFETY INSTRUCTIONS

1. **Read Instructions** - All the safety and operating instructions should be read before the appliance is operated.
2. **Retain Instructions** - The safety and operating instructions should be retained for future reference.
3. **Heed Warnings** - All warnings on the appliance and in the operating instructions should be adhered to.
4. **Follow Instructions** - All operating and use instructions should be followed.
5. **Water and Moisture** - The appliance should not be used near water - for example, near a bathtub, washbowl, kitchen sink, laundry tub, in a wet basement, or near a swimming pool, and the like.
6. **Carts and Stands** - The appliance should be used only with a cart or stand that is recommended by the manufacturer.
- 6A. An appliance and cart combination should be moved with care. Quick stops, excessive force, and uneven surfaces may cause the appliance and cart combination to overturn.
7. **Wall or Ceiling Mounting** - The appliance should be mounted to a wall or ceiling only as recommended by the manufacturer.
8. **Ventilation** - The appliance should be situated so that its location or position does not interfere with its proper ventilation. For example, the appliance should not be situated on a bed, sofa, rug, or similar surface that may block the ventilation openings; or, placed in a built-in installation, such as a book case or cabinet, that may impede the flow of air through the ventilation openings.
9. **Heat** - The appliance should be situated away from heat sources such as radiators, heat registers, stoves, or other appliances (including amplifiers) that produce heat.
10. **Power Sources** - The appliance should be connected to a power supply only of the type described in the operating instructions or as marked on the appliance.
11. **Grounding or Polarization** - Precautions should be taken so that the grounding or polarization means of an appliance are not defeated.
12. **Power-Cord Protection** - Power-supply cords should be routed so that they are not likely to be walked on or pinched by items placed upon or against them, paying particular attention to cords at plugs, convenience receptacles, and the point where they exit from the appliance.
13. **Cleaning** - The appliance should be cleaned only as recommended by the manufacturer.
14. **Nonuse Periods** - The power cord of the appliance should be unplugged from the outlet when left unused for a long time.
15. **Object and Liquid Entry** - Care should be taken so that objects do not fall, and liquids are not spilled, into the enclosure through openings.
16. **Damage Requiring Service** - The appliance should be serviced by qualified service personnel when:
 - A. The power-supply cord or the plug has been damaged; or
 - B. Objects have fallen, or liquid has been spilled, into the appliance; or
 - C. The appliance has been exposed to rain; or
 - D. The appliance does not appear to operate normally or exhibits a marked change in performance; or
 - E. The appliance has been dropped or the enclosure damaged.
17. **Servicing** - The user should not attempt to service the appliance beyond that described in the operating instructions. All other servicing should be referred to qualified service personnel.



TABLE OF CONTENTS

Safety Precautions	1	Special Functions	16
Table of Contents	3	Display Function	16
Disc Formats	4	Locating a Specific Title	16
Accessories	5	Locating a Specific Chapter/Track	16
Remote Control	5	Locating a Specific Time	16
Control Reference Guide	6-8	CD / DVD Programmable Memory .	17
Screen Viewing Angle		DVD Programmable Memory	17
Adjustment	9	CD Programmable Memory	17
Power Supply	9	Repeat Playback	17
Using the Car Plug Adapter	9	Repeating a Title/Chapter (DVD)	17
Connections	10-12	Repeating a Single Track/Whole Disc (CD)	17
Connecting the Monitors	10	Repeating a Specific Section (DVD)	17
Using Headphones/Earphones	10	Playing a Picture File Disc	18
Using this Unit with Other Equipment	11-12	Customizing the Function	
Unit Operation	13	Settings	19-20
Sound System	13	LANGUAGE Setup	19
Playing a Disc	14-15	VIDEO Setup	19
Playing a Disc	14	SYSTEM Setup	19
Pausing Playback (Still Mode)	14	Language Code List	21
Stopping Playback	14	Maintenance	22
Skipping to a Different Track	14	Cleaning Disc	22
Fast Forward/Fast Reverse	14	Cleaning the Unit	22
Skip (Forward/Reverse)	15	Important Note	22
Audio Selection	15	Installation Guide	22
Subtitle Selection	15	Trouble Shooting Guide	23
Angle Selection	15		

DISC FORMATS

The unit can playback discs bearing any of the following marks:



DVDs
[8cm / 12cm disc]



Audio CDs
[8cm / 12cm disc]

CD-R CD-RW
Compatible


Region Management Information

Region Management Information: This unit is designed and manufactured to respond to the Region Management Information that is encoded on DVD discs. If the Region number printed on the DVD disc does not correspond to the Region number of this unit, this unit cannot play that disc.

The region number of this unit is 1.



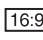




Disc Function or Operation that is Not Available

When the  symbol appears on the TV screen, it indicates that the function or operation attempted is not available at that time. This occurs because the DVD disc manufacturer determines the specific functions. Certain functions may not be available on some discs. Be sure to read the documentation provided with the disc.

Icons Used on DVDs

Sample Icons

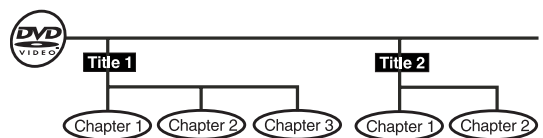
	1. English 2. French	Language selections for audio
	1. English 2. French	Language selections for subtitles
	16:9	Screen aspect ratio
	2	Multiple camera angles
	1	Region code indicator

NOTE:

- When playing back a CD-G (Graphics) or CD EXTRA disc, the audio portion will be played, but the graphic images will not be shown.

Title, Chapter and Tracks

- DVDs are divided into “titles” and “chapters”. If the disc has more than one movie on it, each movie would be a separate “title”. “Chapters” are sections of titles.



- Audio CDs are divided into “tracks”. A “track” is usually one song on an audio CD.



NOTE:

- Numbers identify each title, chapter, and track on a disc. Most discs have these numbers recorded on them, but some do not.

Note on Unauthorized Discs

You may not be able to play back some DVD discs on this unit if they were purchased from outside your geographic area or made for business purposes.

ACCESSORIES

Please check and identify the supplied accessories.

• To order accessories contact web site (<http://www.1800customersupport.com>)

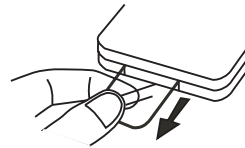
<input type="checkbox"/> Remote Control (with battery)	x 1
<input type="checkbox"/> Car Power Adapter	x 1
<input type="checkbox"/> Strap	x 2
<input type="checkbox"/> DC Line Cord	x 1
<input type="checkbox"/> Audio/Video Cable	x 1
<input type="checkbox"/> DVD Disc	x 1

REMOTE CONTROL

Using the Remote Control

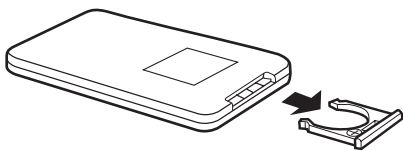
- Point the Remote Control at the REMOTE SENSOR located on the unit.
- When there is a strong ambient light source, the performance of the infrared REMOTE SENSOR may be degraded, causing unreliable operation.
- The recommended effective distance for remote operation is approximately 16 feet (5 meters).

Remove the protective plastic tab before operating the Remote Control.

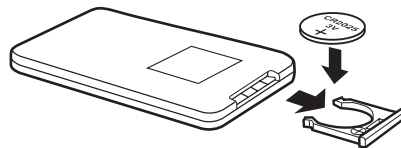


To Change Remote Battery

1. Open the battery door.



2. Insert one CR2025 (3V) size battery.



BATTERY REPLACEMENT

When the battery becomes weak, the operating distance of the Remote Control is greatly reduced. You will need to replace the battery.

NOTE:

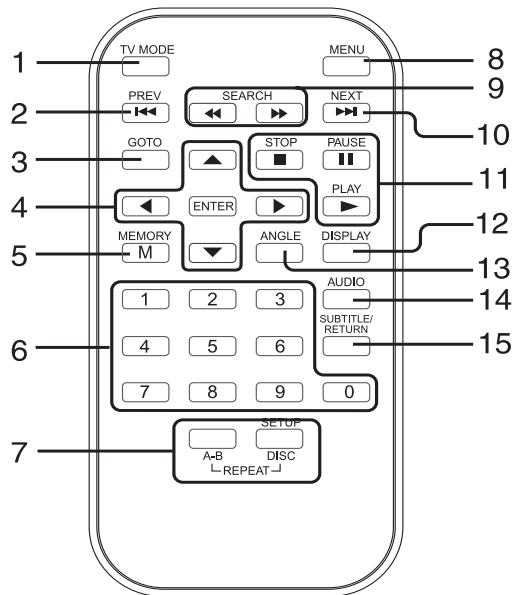
- If the Remote Control is not going to be used for a long time, remove the battery to avoid corrosion damage caused by battery leakage.



WARNING: Do not dispose of batteries in a fire. Batteries may leak or explode.

CONTROL REFERENCE GUIDE

Remote Control



1) TV MODE Button

When the STOP button has been pressed, this feature allows you to select the screen format. Pan Scan, Letter Box or Wide-screen will be toggled by pressing this button once.

2) PREV Button

Move back through titles, chapters or tracks on a disc.

3) GOTO Button

Skip directly to a location on a DVD.

4) Cursor (▲, ▼, ◀, ▶) Buttons

Use to highlight selections on a menu screen and adjust certain settings.

ENTER Button

Confirms selection on a menu screen.

5) MEMORY Button

In stop mode, enter the number of a selected chapter or track.

6) Number (0 - 9) Buttons

Use when creating programs and entering a parental level password. Also use to select a CD track directly.

7) SETUP Button

In stop mode, open and close the SETUP menu.

REPEAT A-B / DISC Button

Perform point-to-point repeat playback on a DVD or CD.

Repeat chapter or title of a DVD.

Repeat single track or whole CD.

8) MENU Button

Open and close DVD menu.

9) SEARCH Buttons

◀◀ SEARCH: Fast reverse playback.

▶▶ SEARCH: Fast forward playback.

10) NEXT Button

Move forward through titles, chapters or tracks on a disc.

11) STOP Button

Stop playing a disc.

PLAY Button

Press to start or resume playback of a disc.

PAUSE Button

Pause playback, frame advance.

12) DISPLAY Button

Change disc status information displayed on the screen.

13) ANGLE Button

Switches between multiple camera angles when the DVD you are viewing has multiple camera angles recorded.

14) AUDIO Button

Select one of the audio sound tracks programmed on a DVD or select the audio output mode on an audio CD.

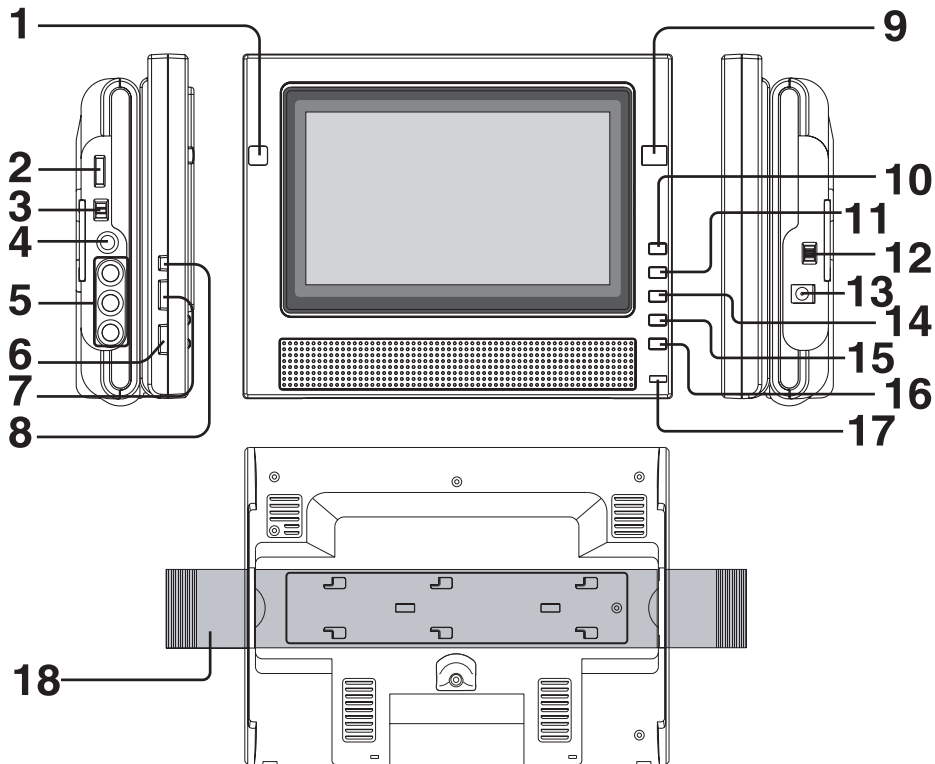
15) SUBTITLE / RETURN Button

Select one of the subtitle languages programmed on a DVD.

Return to normal operation after using the SETUP menu of a DVD.

CONTROL REFERENCE GUIDE

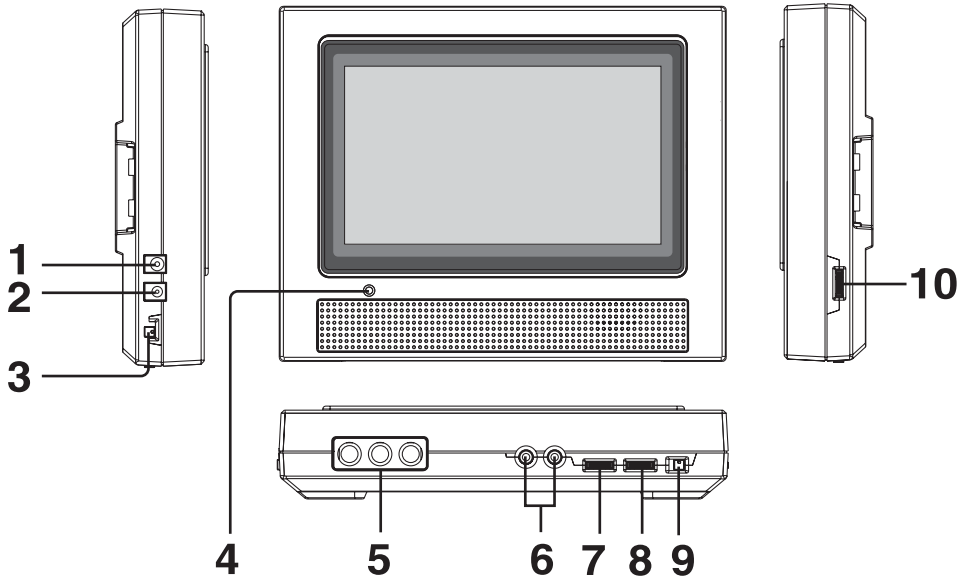
Unit



- 1) **OPEN Knob**
Open the door.
- 2) **VOLUME Control**
Adjust the volume.
- 3) **AV IN / DVD Switch**
Select between the DVD player and an external video source.
- 4) **Headphones Jack**
- 5) **VIDEO & AUDIO IN / OUT Jacks**
- 6) **COLOR Button**
Adjust for color intensity.
- 7) **BRIGHTNESS Button**
Adjust the relative lightness or darkness of the color.
- 8) **SCREEN Switch**
WIDE: Wide screen
NORMAL: Pan screen
- 9) **Remote Sensor**
Receives the remote control unit signals.
- 10) **◀◀ PREV Button**
Press **◀◀ PREV** button to go back to previous chapters/tracks. Four speeds are available.
- 11) **▶▶ NEXT Button**
Press **▶▶ NEXT** button to advance to chapters / tracks. Four speeds are available.
- 12) **POWER ON / OFF Switch**
- 13) **DC IN (9-12V) Jack**
- 14) **■ STOP Button**
Stop playing a disc.
- 15) **|| PAUSE Button**
Press to pause playback of disc. Each time you press the PAUSE button the picture advances one frame. Press the **▶ PLAY** button to resume normal playback.
- 16) **▶ PLAY Button**
Press to start or resume normal playback of a disc.
- 17) **POWER ON Indicator**
When the **POWER ON/OFF** is switched to the ON position, the light will illuminate.
- 18) **Strap**

CONTROL REFERENCE GUIDE

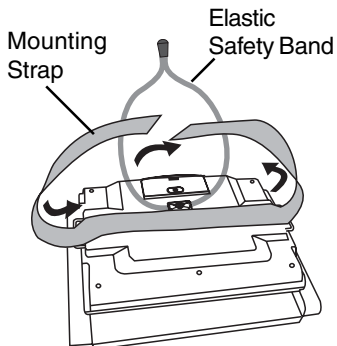
Monitor



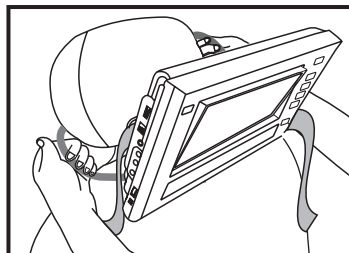
- | | |
|---|---|
| <p>1) DC IN 9-12V Jack
 2) DC OUT Jack
 Connect to the main unit using the DC LINE CORD.
 3) MONITOR ON/OFF Switch
 4) MONITOR ON/OFF Indicator
 5) VIDEO IN / AUDIO IN Jacks
 6) Headphones Jack</p> | <p>7) BRIGHTNESS Control
 Adjust the relative lightness or darkness of the color.
 8) COLOR Control
 Adjust for color intensity.
 9) SCREEN Switch
 Wide: Wide screen
 Normal: Pan screen
 10) VOLUME Control
 Adjust the volume.</p> |
|---|---|

Installation of Unit / Monitors in Vehicle

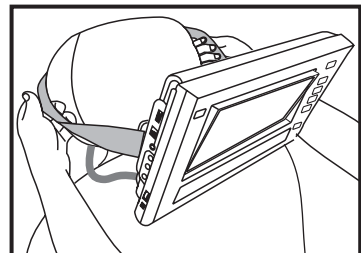
- Use the supplied mounting straps when installing the unit/monitor on the back of the vehicle's headrest.



1) Loop the safety band around the headrest.



2) Tightly wrap the mounting strap around the headrest.



SAFETY WARNING!

- This unit should never be used by the vehicle's driver or left unsecured in the vehicle while driving.
- If this unit is being used in your vehicle, be sure that it is secured or held safely, and does not obstruct any safety device, including air bags or seat belts.
- All passengers should wear seat belts when using this unit in a moving vehicle.
- If in doubt, please contact your vehicle manufacturer for further advice.

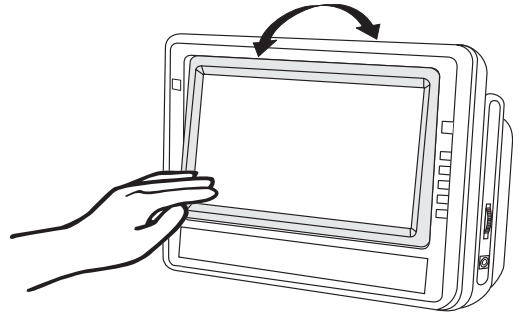
SCREEN VIEWING ANGLE ADJUSTMENT

The monitor is designed to allow users to have a comfortable viewing angle. The viewing angle can be adjusted.

- DVD player can be adjusted approximately $+4^{\circ}$ / -8° ;
- Monitor can be adjusted approximately $\pm 9^{\circ}$.
- Gently push the top or bottom of the screen frame to adjust the viewing angle.

Caution:

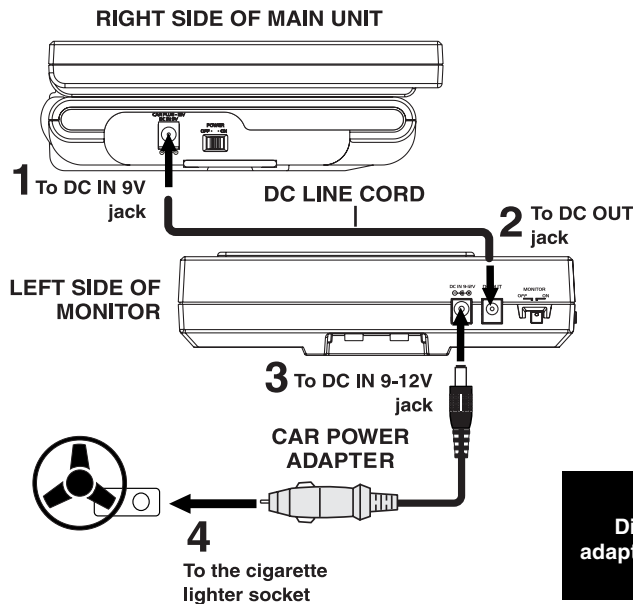
- Do not force the screen frame over its maximum viewing angle settings as stated above. Attempting this will result in damage to the unit.



POWER SUPPLY

A. Using the Car Plug Adapter

The included 12V car plug adapter is designed for use with vehicles that have a 12V, negative ground electrical system.



WARNING:
Disconnect the car power adapter when not in use. Not for use in 24V vehicles.



Cautions:

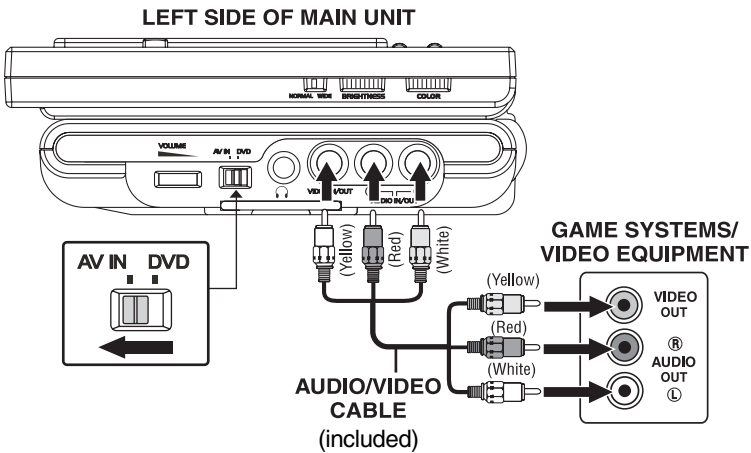
- Use this unit only with the included 12V car plug adapter. Use with other car adapters could damage the unit, or even your vehicle.
- The included 12V car plug adapter is for use with this unit only. Do not use it with any other equipment.
- In the interest of traffic safety, drivers should not operate the unit or view videos while driving.
- When the inside of the 12V car socket is dirty with ashes or dust, the plug section may become hot due to poor contact. Be sure to clean the 12V car socket before use.
- After use, disconnect the 12V car plug adapter from both the unit and 12V car socket.
- If the unit is not properly attached to a vehicle, it may become airborne in the event of an accident and cause damage, injury, or death.
- Check your local traffic laws for rules governing the use of video devices in vehicles.

CONNECTIONS

Using this Unit with Other Equipment

A. Connecting Game Systems/Video Equipment

You can connect game systems or other video equipment for playback through the monitors.



Watching Video Equipment

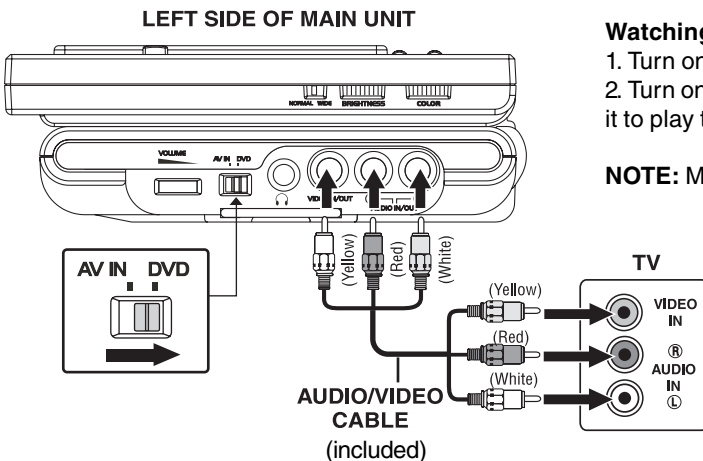
1. Turn on the unit; slide the **AV IN / DVD** switch to "AV IN".
2. Turn on the video equipment and follow the instructions provided with it to playback.

NOTE:

If you have a mono VCR, the volume level from the speakers will be low.

B. Connecting the Unit to a TV

This DVD player can be used with a TV that has A/V inputs. If your TV does not have A/V inputs, you can purchase an RF modulator (sold separately) to connect the DVD player.



Watching a DVD on your TV

1. Turn on the unit; slide the **AV IN / DVD** switch to "DVD".
2. Turn on the TV and follow the instructions provided with it to play the DVD.

NOTE: Make sure you use the correct Audio/Video cable.

(continued on next page)

CONNECTIONS

C. Connecting a Stereo Receiver or Amplifier

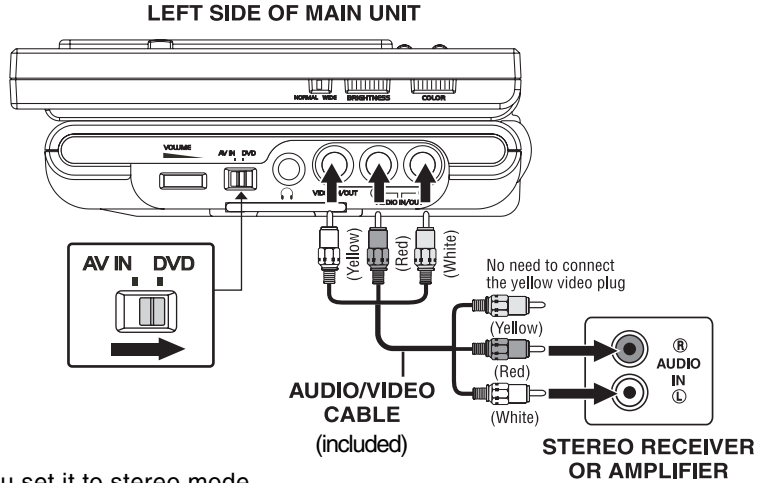
This unit can play two channels Dolby Digital.

Listening to Another Audio Equipment

1. Turn on the unit.
2. Turn on your audio equipment and follow the instructions provided with it to select the AUDIO IN function.

NOTE:

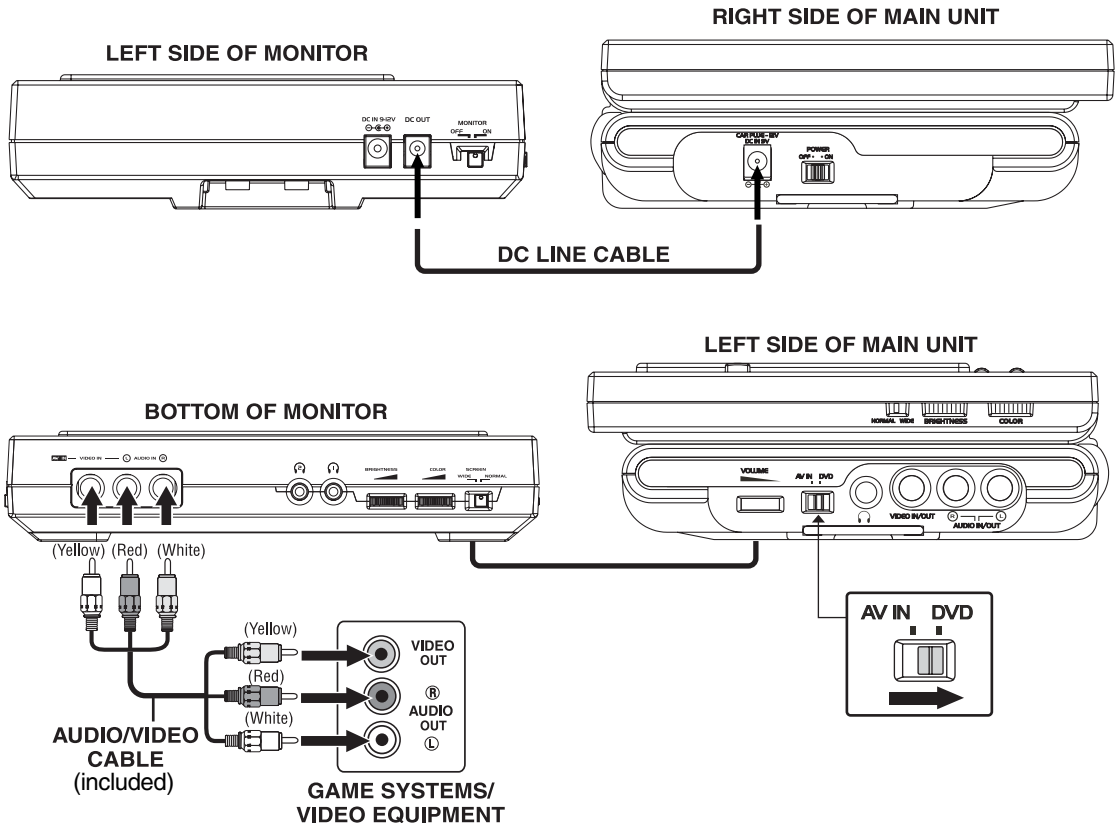
- You may experience some interference if the radio tuner function is selected while the television is working.
- Make sure to use the correct audio/video cable. Connecting the plugs incorrectly may cause a weak signal.
- If you have a stereo VCR, make sure you set it to stereo mode.
- Due to copyright protection, DVD movies cannot be copied. If you copy a DVD movie onto a videotape, the resulting copy will be unclear, with poor sound quality. This is NOT caused by a defective DVD system.



Using this Monitor with Other Equipment

You can view a DVD in the main unit, while utilizing a game console or other video equipment on the second monitor at the same time.

EXAMPLE OF CONNECTION




CONNECTIONS

Using Headphones/Earphones

- Turn down the volume before connecting the headphones/earphones. Slowly raise the volume with the headphones/earphones on until you reach your desired volume.

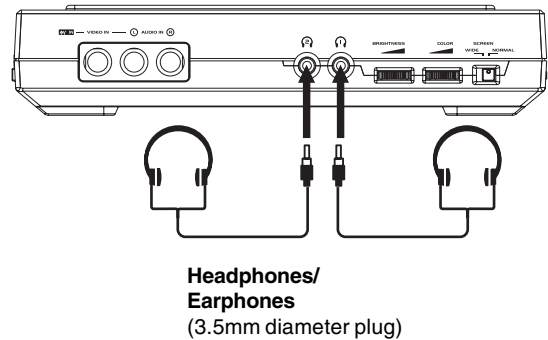
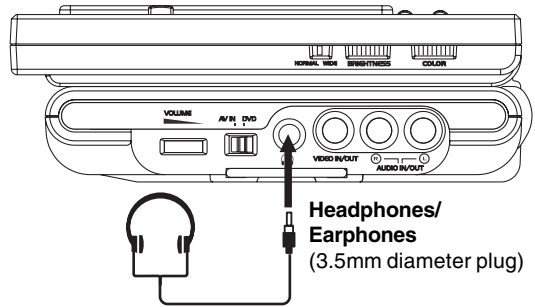
NOTE:

When headphones are connected, the speakers are automatically disabled.



Caution:

- Avoid listening to sound at excessive levels which could be harmful to your ears.



UNIT OPERATION

Turning the Unit On

1. Slide the POWER ON/OFF switch on the main unit & MONITOR ON/OFF switch on the monitor to the 'ON' position.
2. If you select DVD, the DVD logo (start-up picture) will appear on the screen.



SOUND SYSTEM

Dolby Digital (for DVD)


Dolby Digital is a sound system developed by Dolby Laboratories Inc. that gives movie theatre ambience to audio output when the unit is connected to a Dolby Digital 5.1 channel processor or amplifier.

This unit automatically recognizes DVDs that have been recorded with Dolby Digital.

Not all Dolby Digital sources are recorded with 6 channels.

Some sources marked Dolby Digital may be recorded in Dolby Surround, a 2 channel system. Look for this logo

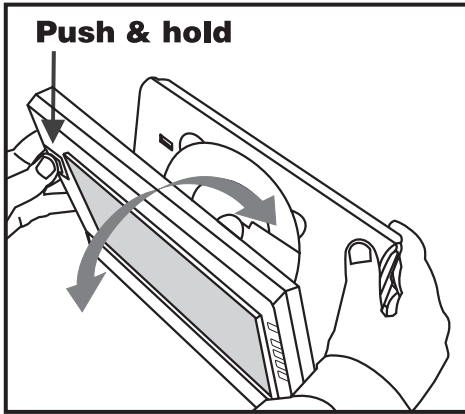
Manufactured under license from Dolby Laboratories.

'Dolby' and the double-D  symbol are trademarks of Dolby Laboratories.

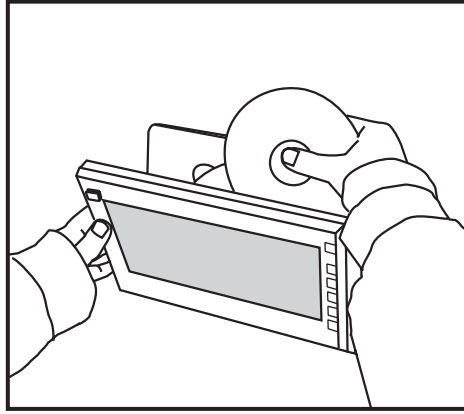


COMPACT DISC OPERATION

1. Open the disc door
Push and hold the OPEN knob to open the disc door.



2. Hold the disc by its sides and carefully place it onto the spindle with the label side facing up; push gently until you hear a "click".



3. Close the disc door.
It takes a short while for your unit to load the disc. After loading, the unit will automatically start playing the disc.

4. Press the ► **PLAY** button.

This owner's manual explains the basic instructions of this unit. Some DVD discs are produced in a manner that allows specific or limited operation during playback. Such as, the unit may not respond to all operating commands. This is not a defect in the unit. Refer to the instruction notes of discs.

“” may appear on the screen during operation. A “” means that the desired operation is not permitted by the unit or disc.

Playing a Disc

1. Slide the **POWER ON/OFF** switch on the right side of the unit to the 'ON' position.
See **CUSTOMIZING THE FUNCTION SETTINGS (page 20)** before proceeding to step 2.
2. Open the disc door.
3. Hold the disc by its sides and carefully place it onto the spindle with the label side facing up, pushing gently until you hear a “click”.
4. Close the disc door.
It takes a short while for your unit to load the disc. After loading, the unit will automatically bring you to the main menu of the DVD or start playing the DVD.
5. If the unit does not automatically start playing the DVD, press the ► **PLAY** button from the main menu.

Pausing Playback (Still Mode)

Press the ■■ **PAUSE** button. To resume normal playback, press the ► **PLAY** button.

Each time you press the ■■ **PAUSE** button, the picture advances one frame.

Stopping Playback

Press the ■ **STOP** button at the location where you want to interrupt playback. To resume playback at the position where the disc was stopped, press the ► **PLAY** button.

If you press the ■ **STOP** button twice, the unit's memory will be cleared and pressing the ► **PLAY** button will reset the disc to the beginning.

To Skip to a Different Track

- Press the ■◀◀ **PREV** button repeatedly to skip to the start of the current or previous track.
- Press the ▶▶■ **NEXT** button to skip to the next track.
- For an audio CD disc, use the number buttons (remote control only) to jump directly to that track number.

Fast Forward/Fast Reverse

1. Press the **SEARCH ▶▶** or ◀◀ **SEARCH** button when a disc is playing.
 - The disc begins fast scan at x2 speed.
 - Four speeds are available. Each time **SEARCH ▶▶** or ◀◀ **SEARCH** button is pressed, the speed of fast scan changes in the following sequence:

X 2▶▶ → X 4▶▶ → X 8▶▶ → X 20▶▶

2. Press the ► **PLAY** button when you reach the desired point to resume playback at normal speed.

SKIP (Forward / Reverse)

While you are playing a disc, press the **▶▶ NEXT** button to move to the beginning of the next chapter or track. Press the **◀◀ PREV** button to move to the previous chapter or track. Playback will automatically begin.

Audio Selection

On some discs, the sound is recorded in two or more formats. Follow the directions below to select the type of playback.

1. While a disc is playing, press the **AUDIO** button to show the current audio format number.
2. Press the **AUDIO** button repeatedly to select the desired audio format.

 : 1/3ENG  6CH

NOTE :

- If only one audio format is recorded, the number does not change.
- Approximately two seconds later, playback continues in the new audio format.

Subtitle Selection

1. While a DVD is playing, press the **SUBTITLE / RETURN** button to display the current language setting, as shown in the example below.
2. Press the **SUBTITLE / RETURN** button repeatedly to select the desired subtitle language.

 : 2/3 ESP

NOTE :

- If only one language is recorded, the language does not change.
- Approximately two seconds later, playback continues with the new subtitle you selected.
- The number of languages recorded differs depending on the disc.
- If no button is pressed within a few seconds, playback continues without changing the current subtitle.
- This function can only be used for discs on which subtitles have been recorded in multiple languages.
- On some DVDs, subtitles are activated from the main menu of the DVD. Press the **MENU** button to activate the main menu.

Angle Selection

Some DVDs contain scenes that have been shot from a number of different angles. For these discs, the same scene can be viewed from each of these different angles.

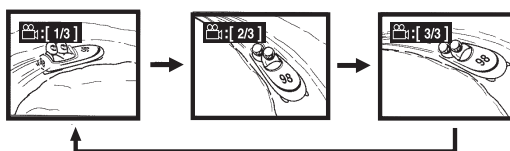
1. While you are playing a DVD with different angles recorded, press the **ANGLE** button to view the number of current angles available.

2. Press the **ANGLE** button repeatedly to change the scene to the next recorded angle.

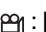
- Approximately two seconds later, playback continues from the new angle you selected.
- If no button is pressed within 10 seconds, playback continues without changing the current angle.

 : [2/3]

Sequence of angle shots
(Example)



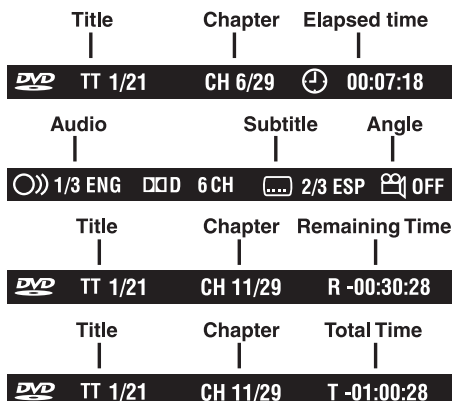
NOTE:

- This function can only be used for discs on which scenes shot from multiple angles have been recorded.
- If only one angle is recorded, " : [1/1]" is displayed.

DISPLAY Function

Using DISPLAY, you can check the current settings of the following items: ANGLE, AUDIO and SUBTITLE.

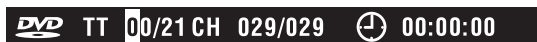
- While the disc is playing, press the **DISPLAY** button to display the screen shown below.



Locating a Specific Title

If a DVD disc contains title numbers, you can locate a specific title by directly selecting a title number.

1. In stop mode, press the **GOTO** button.
2. Press ◀ or ▶ button to highlight a specific field and press the corresponding number button(s) for the title you want.
3. Press the **ENTER** button to confirm. The unit will start playback approximately 3 seconds later.



Locating a Specific Chapter / Track

You can locate a specific chapter / track by directly selecting a chapter / track number.

1. Press the **GOTO** button.
2. Press ◀ or ▶ button to highlight a chapter / track and press the corresponding number button(s) for the chapter you want.
3. Press the **ENTER** button to confirm. The unit will start playback approximately 3 seconds later.



Locating a Specific Time

You can move to a specific location by entering its corresponding time (hours, minutes, seconds)

1. Press the **GOTO** button.
2. Press ◀ or ▶ button to highlight time.
3. Press the corresponding number buttons for the setting point you want.
4. Press the **ENTER** button to confirm. The unit will start playback approximately 3 seconds later.



NOTE:



- Some discs may not respond to this process.
- Some scenes may not be located as precisely as you specified.
- This method for accessing specific locations is available only within the current title of the DVD disc.

CD/DVD PROGRAMMABLE MEMORY

Programmable Memory

The two types of programmed playback provided by this unit are title/chapter programmed playback and track programmed playback.

Title / Chapter Programmed Playback

1. Press the **MEMORY** button while the disc is stopped.
2. Enter the title numbers in . Use **◀** or **▶** button to move the highlight to chapter and enter the chapter numbers in .
3. Use **▲**, **▼**, **◀** or **▶** button to move to the other field.
4. Repeat steps 2 to 3.
5. Press the **▶ PLAY** button to start the programmed playback.


NOTE:

If you press the **■ STOP** button twice, the programmed selection will be cleared.

Title		Chapter	
PROG	T C	T C	T C
1	---	5	---
2	---	6	---
3	---	7	---
4	---	8	---

PLAY CLEAR

Track Programmed Playback

1. Press the **MEMORY** button while the disc is stopped.
2. Enter the track numbers in .
3. Use **▲**, **▼**, **◀** or **▶** button to move to the other field.
4. Repeat steps 2 to 3.
5. Press the **▶ PLAY** button to start the programmed playback.

Track			
PROG	T C	T C	T C
1	---	5	---
2	---	6	---
3	---	7	---
4	---	8	---

PLAY CLEAR



REPEAT PLAYBACK

You can play a specific title or chapter repeatedly. (Title repeat, chapter repeat, A-B repeat)

Repeating a Chapter

You can play the same chapter repeatedly.

1. While the disc is playing, press the **REPEAT DISC** button until the **REP: CHAPTER** indicator displays on the screen. The current chapter is played repeatedly.

Repeating a Title

You can play the same title repeatedly.

2. While the disc is playing, press the **REPEAT DISC** button until the **REP: TITLE** indicator displays on the screen. The current title is played repeatedly.

To Resume Normal Playback

3. While the disc is playing, press the **REPEAT DISC** button until the **REP: OFF** indicator displays on the screen.

You can play a single track and whole disc repeatedly.

Repeating a Single Track

You can play the same track repeatedly.

1. While the disc is playing, press the **REPEAT DISC** button until the **REP: REP 1** indicator displays on the screen. The current track is played repeatedly.

Repeating a Whole Disc

2. While the disc is playing, press the **REPEAT DISC** button until the **REP: REP ALL** indicator displays on the screen. The whole disc is played repeatedly.

To Resume Normal Playback

3. Press the **REPEAT DISC** button until the **REP: OFF** indicator displays on the screen.

Repeating a Specific Section

You can play a specific section repeatedly.

1. While the disc is playing, press the **REPEAT A-B** button at the beginning of the section (**REPEAT A-** is displayed) you want to play repeatedly.
2. Press the **REPEAT A-B** button again at the end of the section (**REPEAT A-B** is displayed).
3. The unit will immediately begin replaying your selection.

To Resume Normal Playback

4. While the disc is playing, press the **REPEAT A-B** button until the **A-B CANCEL** indicator displays on the screen.

NOTE:

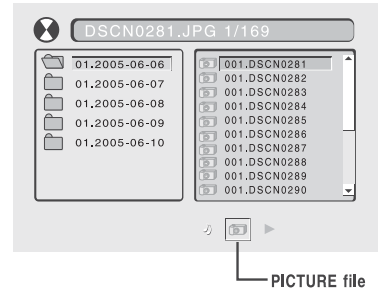
- A-B repeat can only be used within the same title. If the start and end of the section to be repeated are in different titles, A-B repeat is cancelled.
- The A-B repeat function does not operate in scenes where different camera angles are recorded.

PLAYING PICTURE FILE DISC

This unit can play picture files recorded on CD-R and CD-RW discs.

Playing a Picture File Disc

1. Open the disc door.
2. Hold a picture file disc by its edge and gently push it onto the spindle with the label side facing up, gently pushing until you hear a “click”.
3. Close the disc door.
4. The unit will load the disc and automatically display the contents of the disc on the screen, while also beginning to play the first picture file. These files will then be played back one by one.
5. Press ◀ or ▶ button to select a picture file to view.
6. Press the ▲, ▼, ◀ or ▶ **CURSOR** button to view and select the files that you want to view, then press the **ENTER** button to confirm the selected file.



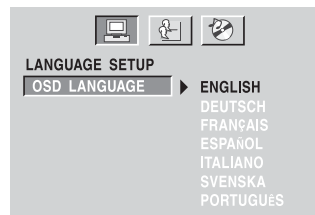
NOTE:

- You can press the **PAUSE** button to interrupt playback, and press the **PLAY** button to resume playback.
- You can use the **GOTO** function or use the numbered buttons to enter the number of a picture file to quickly select the image.
- Press the **ANGLE** button on the remote control to rotate the picture orientation by 90°.

CUSTOMIZING THE FUNCTION SETTINGS

LANGUAGE SETUP

1. Press the **SETUP** button in stop mode.
2. Use **▶** button to change the highlight cursor. Use **▲** or **▼** button to select a language, then press the **ENTER** button. The screen will change to your selected language immediately.
3. To exit the **SETUP MENU** and return to the normal screen, press the **RETURN** or **SETUP** button.



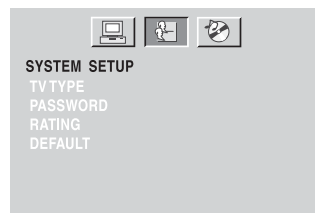
VIDEO SETUP

1. Press the **SETUP** button in stop mode.
2. Use **▲** button to select **LANGUAGE SETUP**, then press **◀** or **▶** button repeatedly until **VIDEO SETUP** appears.
3. Use **▲** or **▼** button to select the option (**BRIGHTNESS** or **CONTRAST**), then press the **▶** button. Use the **▲** or **▼** button to make adjustments, then press the **ENTER** button. (The screen will change to your selected setting).
4. Repeat steps 2 and 3 above to adjust other options.
5. To exit the **SETUP MENU** and return to the normal screen, press the **RETURN** or **SETUP** button.



SYSTEM SETUP

1. Press the **SETUP** button in stop mode.
2. Use **▲** button to select **LANGUAGE SETUP**, then press **◀** or **▶** button repeatedly until **SYSTEM SETUP** appears.
3. Use **▲** or **▼** button to select the option (**TV TYPE**, **PASSWORD**, **RATING** or **DEFAULT**), then press the **▶** button. Use **▲** or **▼** button to make adjustments, then press the **ENTER** button. (The screen will change to your selected setting).
4. Repeat steps 2 and 3 above to adjust other options.
5. To exit the **SETUP MENU** and return to the normal screen, press the **RETURN** or **SETUP** button.



TVType

Pan Scan

- When wide-screen video is played, this mode clips the right and left sides of the image so that it can be viewed on a conventional screen.
- Some wide-screen DVDs that do not permit Pan Scan mode playback are automatically played in letter box mode (black bands top and bottom).

Letter Box

- When wide-screen video is played in this mode on a conventional screen, black bands appear at the top and bottom of the screen.

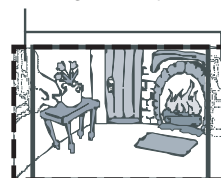
Wide Screen

- This is the correct mode for playing wide-screen videos on a wide-screen.

NOTE:

- The displayable picture size is preset on the DVD disc. Therefore the playback picture of some DVD discs may not conform to the picture size you select.
- When you play DVD discs recorded in the 4:3 aspect ratio, the playback picture will always appear in the 4:3 aspect ratio regardless of the TV TYPE setting.

Cut off when a wide-screen video image is played.



PAN SCAN



LETTER BOX



WIDE SCREEN

(continued on next page)

CUSTOMIZING THE FUNCTION SETTINGS

Password

1. Press the SETUP button in stop mode.
2. Use ► button to select **LANGUAGE SETUP**, then press ▲ or ▼ button repeatedly until **SYSTEM SETUP** appears.
3. Use ▲ or ▼ button to select **PASSWORD**, enter your 4-digit security code and then press the **ENTER** button.

If you forget the password, you can erase your current password by pressing the number 8 button on the remote control four times, then press the ENTER button to confirm the setting (PASSWORD : 8 8 8 8).



The Parental lock is active.



Indicates Parental lock is NOT active.

Rating

DVD discs are equipped with a password function and are rated according to their content. The contents allowed by the parental lock level and the way a DVD disc is controlled may vary from disc to disc. For example, if the disc allowed, you could lock-out violent scenes unsuitable for children or you could lock out playback of the disc altogether.

You cannot play DVD discs rated higher than the level you selected unless you cancel the parental lock function.

The parental lock levels are equivalent to the following ratings.

1 : KID SAFE	5 : PG-R
2 : G	6 : R
3 : PG	7 : NC-17
4 : PG-13	8 : ADULT

Default

It takes 3-5 seconds to reset the unit to the factory default.

LANGUAGE CODE LIST

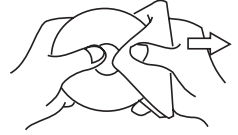
Code	Language Name	Code	Language Name	Code	Language Name	Code	Language Name
AA	Afar	FY	Frisian	MG	Malagasy	SL	Slovenian
AB	Abkhazian	GA	Irish	MI	Maori	SM	Samoan
AF	Afrikaans	GB	Scots Gaelic	MK	Macedonian	SN	Shona
AM	Ameharic	GL	Galician	ML	Malayalam	SO	Somali
AR	Arabic	GN	Guarani	MN	Mongolian	SQ	Albanian
AS	Assamese	GU	Gujarati	MO	Moldavian	SR	Serbian
AY	Aymara	HA	Hausa	MR	Marathi	SS	Siswat
AZ	Azerbaijani	HI	Hindi	MS	Malay	ST	Sesotho
BA	Bashkir	HR	Croatian	MT	Maltese	SU	Sundanese
BE	Byelorussian	HU	Hungarian	MY	Burmese	SV	Swedish
BG	Bulgarian	HY	Armenian	NA	Nauru	SW	Swahili
BH	Bihari	IA	Interlingua	NE	Nepali	TA	Tamil
BI	Bislama	IE	Interlingue	NL	Dutch	TE	Telugu
BN	Bengali	IK	Inupiak	NO	Norwegian	TG	Tajik
	Bangla	IN	Indonesian	OC	Occitan	TH	Thai
BO	Tibetan	IS	Icelandic	OM	(Afan) Oromo	TI	Tigrinya
BR	Breton	IT	Italian	OR	Oriya	TK	Turkmen
CA	Catalan	IW	Hebrew	PA	Panjabi	TL	Tagalog
CO	Corsican	JA	Japanese	PL	Polish	TN	Setswana
CS	Czech	JI	Yiddish	PS	Pashto, Pushto	TO	Tonga
CY	Welsh	JW	Javanese	PT	Portuguese	TR	Turish
DA	Danish	KA	Georgian	QU	Quechua	TS	Tsonga
DE	German	KK	Kazakh	RM	Rhaeto- Romance	TT	Tatar
DZ	Bhutani	KL	Greenlandic			TW	Twi
EL	Greek	KM	Cambodian	RN	Kirundi	UK	Ukrainian
EN	English	KN	Kannada	RO	Romanian	UR	Urdu
EO	Esperanto	KO	Korean	RU	Russian	UZ	Uzbek
ES	Spanish	KS	Kashmiri	RW	Kinyarwanda	VI	Vietnamese
ET	Estonian	KU	Kurdish	SA	Sanskrit	VO	Volapük
EU	Basque	KY	Kirghiz	SD	Sindhi	WO	Wolof
FA	Persian	LA	Latin	SG	Sangho	XH	Xhosa
FI	Finnish	LN	Lingala	SH	Serbo- Croatian	YO	Yoruba
FJ	Fiji	LO	Laothian			ZH	Chinese
FO	Faroese	LT	Lithuanian	SI	Singhalese	ZU	Zulu
FR	French	LV	Latvian, Lettish	SK	Slovak		

MAINTENANCE

Cleaning the Disc

A defective or soiled disc inserted into the unit can cause sound to drop out during playback. Handle the disc by holding its inner and outer edges.

- Do NOT touch the surface of the unlabeled side of the disc.
- Do NOT stick paper or tape on the surface.
- Do NOT expose the disc to direct sunlight or excessive heat.
- Clean the disc before playback. Wipe the disc from the center outward with a cleaning cloth.
- NEVER use solvents such as benzine or alcohol to clean the disc.
- Do NOT use irregular shaped discs (example : heart shaped, octagonal, etc.). They may cause malfunctions.



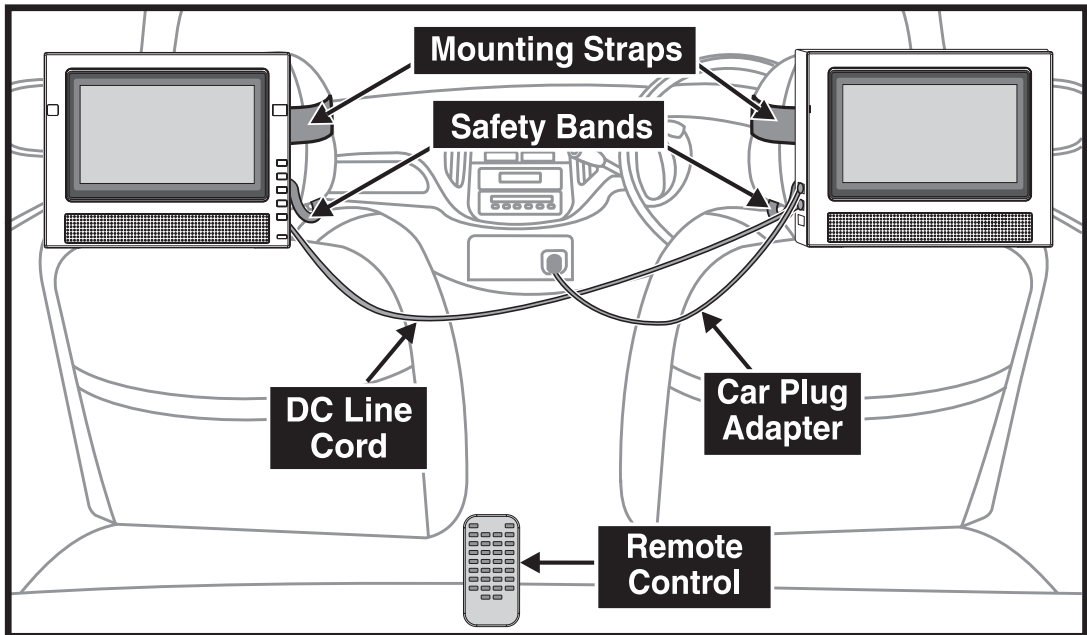
Cleaning the Unit

- Be sure to turn the unit off and disconnect the power adapter before maintaining the unit.
- Wipe the unit with a dry soft cloth. If the surfaces are extremely dirty, wipe clean with a cloth that has been dipped in a weak soap-and-water solution and wrung out thoroughly, then wipe with a dry cloth.
- Never use alcohol, benzine, thinner, cleaning fluid or other chemicals. Do NOT use compressed air to remove dust.


Important Note

Before transporting the unit, remove the disc from the disc compartment.

INSTALLATION GUIDE



TROUBLE SHOOTING GUIDE

SYMPTOM	CAUSE (AND REMEDY)
No power.	<ul style="list-style-type: none">• Ensure the the car plug adapter is connected.• You did not turn on the unit.
The remote does not function.	<ul style="list-style-type: none">• Remove any obstacles between the remote and the unit.• Use the remote near the unit.• Point the remote at the remote sensor on the unit.• Replace the remote control battery.
DVD	
No sound or only a very low-level sound is heard.	<ul style="list-style-type: none">• Make sure that you've select DVD mode.• The system is in pause mode. Press the ► PLAY button to return to normal play mode.• Fast forward or fast reverse is performed. Press the ► PLAY button to return to normal play mode.• Make sure that AUDIO / VIDEO output and AV IN input connections are correct.• The DTS DVD disc cannot be decoded to have speaker output.• This unit is too hot. Turn off the unit for 30 minutes to allow it time to cool down.
No picture	<ul style="list-style-type: none">• The region number of the disc doesn't match the region number of this unit.
	
The picture is not clear	<ul style="list-style-type: none">• Clean the disc.• The disc is scratched.
Severe hum or noise is heard.	<ul style="list-style-type: none">• The plugs and jacks are dirty. Wipe them with a cloth slightly moistened with alcohol.• Clean the disc.
The disc does not play.	<ul style="list-style-type: none">• There is no disc inside ("No Disc" appears on the screen).• Insert the disc correctly with the playback side facing forward.• Clean the disc.• A non-NTSC disc has been inserted. The unit and disc region number are incompatible.• Condensation may have formed inside the unit due to a sudden change in temperature. Wait approximately an hour for it to clear and try again.

Specifications and external appearance are subject to change without notice.

Need More Help?
DO NOT RETURN THIS TO THE STORE
Please visit online help at
<http://www.1800customersupport.com>